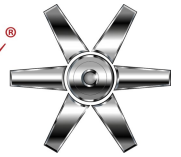


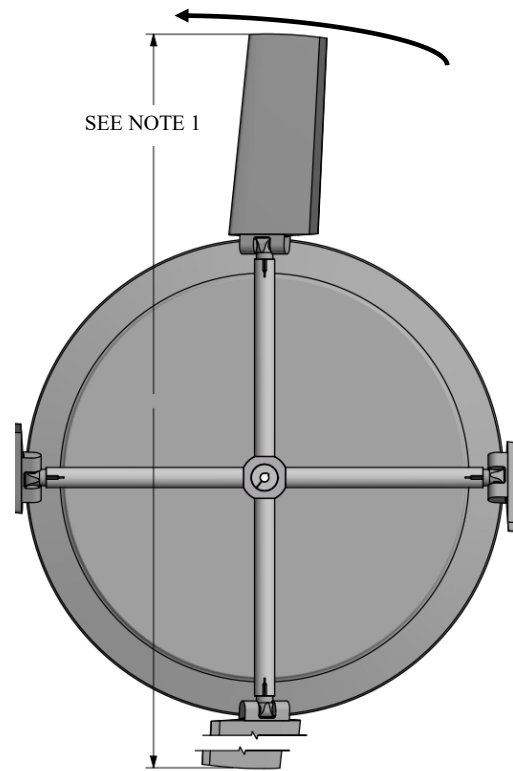
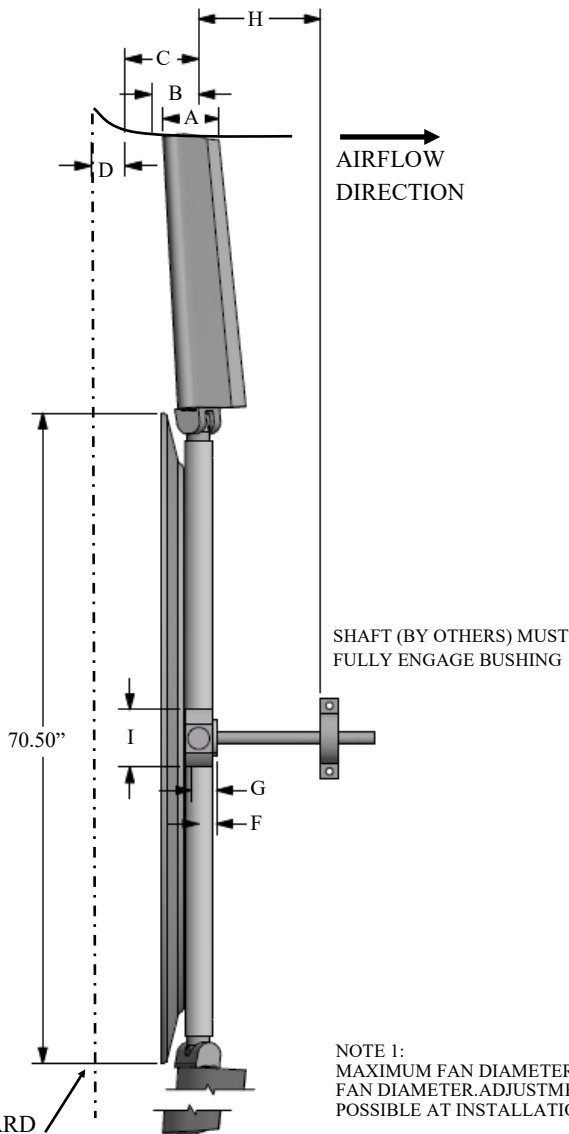
CLASS 10000 HD SERIES 72 SC

LH ROTATION

Moore
FANS



COUNTER-CLOCKWISE ROTATION
(FAN BLOWING IN OBSERVER'S FACE)
STANDARD LEFT HAND FAN



- A = BLADE TIP THICKNESS @ 19° BLADE ANGLE
- B = RUNNING POSITION OF BLADES
- C = MAXIMUM DROOP POSITION OF BLADES
- D = MINIMUM OBSTACLE CLEARANCE AT INLET
- F = CENTERLINE OF FAN TO BASE OF BUSHING
- G = BUSHING OVERALL HEIGHT
- H = MINIMUM OBSTACLE CLEARANCE AT OUTLET
- I = NOMINAL MECHANICAL HUB DIAMETER
- L = MAXIMUM BUSHING TORQUE FT. LBS.
- # = WITH S.A.E. STANDARD SQUARE KEYWAY
- * = WITH SHALLOW KEYWAY IN BUSHING
- o = MAX METRIC BORE WITH STANDARD KEYWAY

NOTE 1:
MAXIMUM FAN DIAMETER EQUALS NOMINAL
FAN DIAMETER. ADJUSTMENT OF ±1.5 INCHES*
POSSIBLE AT INSTALLATION

*BLADES WITH ATEX TIPS HAVE ADJUSTMENT
OF -1.0" & +2.0" ON DIAMETER

BUSHING AND/OR AIR SEAL
CAN BE INSTALLED ON INLET
OR OUTLET SIDE OF FAN

WITH FAN OPERATING AT
12000 FT/MINUTE BLADE TIP SPEED

PERCENT BLADE
LOADING

100%	75%
------	-----

DIA	A	B		C	D	H
12'	2.1"	4.3"	3.5"	5.8"	2.0"	7.0"
13'	1.9"	5.1"	4.1"	7.1"	2.0"	7.0"
14'	1.8"	6.0"	4.8"	8.5"	2.0"	7.0"
15'	1.7"	7.0"	5.6"	10.0"	2.0"	7.0"
16'	1.5"	8.1"	6.4"	11.6"	2.0"	7.0"

MAX BLADES	BUSHING TYPE	MAX # BORE	MAX * BORE	MAX o BORE	I	F	G	L
6	U	2.750"	2.938"	75	7"	2.0"	2.7"	4000
8	U	2.750"	2.938"	75	9"	2.0"	2.7"	4000
12	U	2.750"	2.938"	75	12"	2.0"	2.7"	4000
14	U	2.750"	2.938"	75	14"	2.0"	2.7"	4000
8	W	3.750"	4.000"	100	9"	2.2"	2.8"	7300
12	W	3.750"	4.000"	100	12"	2.2"	2.8"	7300
14	W	3.750"	4.000"	100	14"	2.2"	2.8"	7300
16	W	3.750"	4.000"	100	16"	2.2"	2.8"	7300
12	Z	5.000"	5.500"	140	12"	2.2"	4.0"	18000
14	Z	5.000"	5.500"	140	14"	2.2"	4.0"	18000
16	Z	5.000"	5.500"	140	16"	2.2"	4.0"	18000